

TECHNICAL DATA

COLD PLANERS (Stage V / TIER 4f)
BM 500/15-2, BM 600/15-2

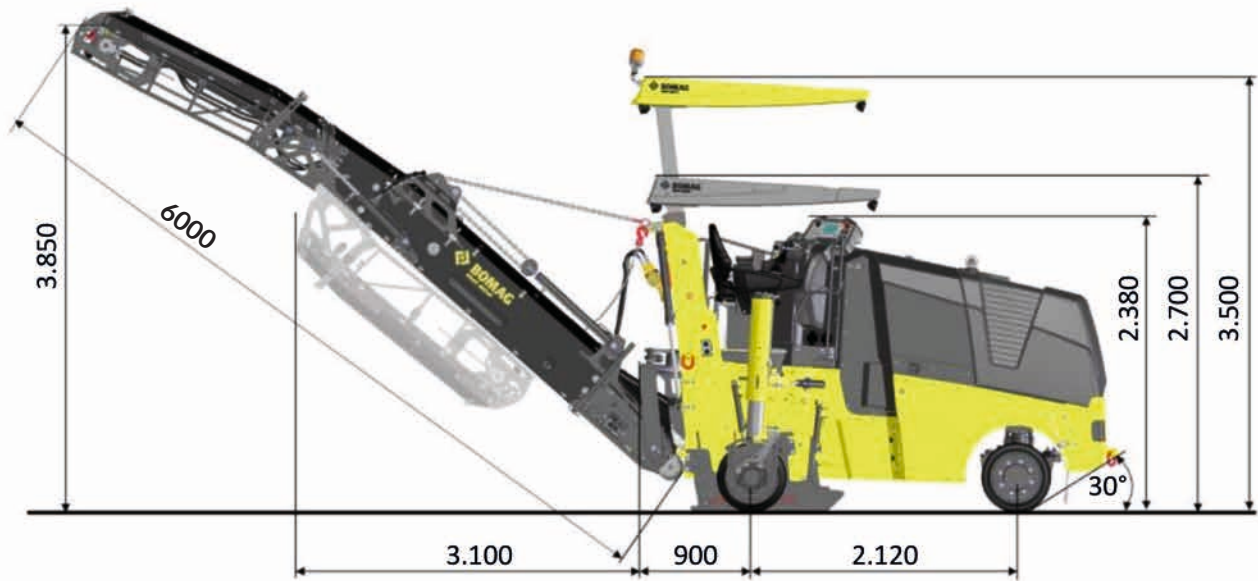


Technical data

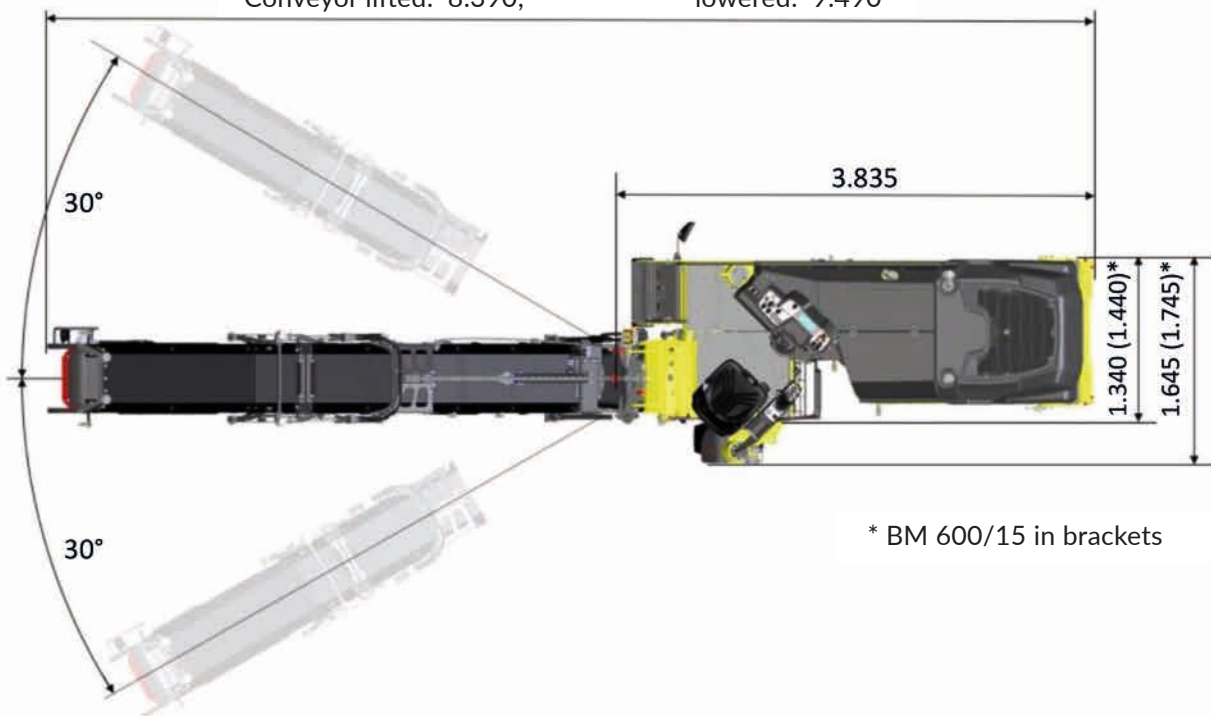
	BOMAG 500/15-2	BOMAG 600/15-2
Milling drum		
Milling width max. mm	500	600
Milling depth mm	0 – 210	0 – 210
Milling line distance mm	15	15
Milling drum cutting diameter..... mm	700	700
Number of cutting tools pcs.	58	64
Milling speed 1/min	variable – 115, 130, 145	variable – 115, 130, 145
Drive		
Engine manufacturer	Deutz	Deutz
Type	TCD4.1	TCD4.1
Exhaust classification	Stage V / TIER 4f	Stage V / TIER 4f
Cooling	Liquid	Liquid
Number of cylinders/displacement cm ³	4 / 4000	4 / 4000
Power kW / PS	105 / 143	105 / 143
Speed min ⁻¹	2,100	2,100
Torque..... Nm / min ⁻¹	550 / 1,600	550 / 1,600
Fuel consumption, max torque/nominal power .. g / kWh	211 / 219	211 / 219
Generator V / A	28V / 120 A	28V / 120 A
Battery V / Ah	2 x 12 V / 88 Ah	2 x 12 V / 88 Ah
Travel characteristics		
Travel speed, 3-wheel km/h	0 – 6	0 – 6
Travel speed, 4-wheel km/h	0 – 10	0 – 10
Working speed m/min	0 – 82	0 – 82
Milling radius 3- and 4-wheel mm	245	245
Wheels		
Rear wheel size (Ø x W)..... mm	560 x 254	560 x 254
Front wheel size, 3-wheel (Ø x W)..... mm	560 x 254	560 x 254
Front wheel size, 4-wheel (Ø x W)..... mm	560 x 203	560 x 203
Filling capacities		
Fuel l	200	200
Water l	600	600
Hydraulic system l	100	100
AdBlue l	30	30
Loading system		
Conveyor belt width mm	400	400
Theoretic loading capacity m ³ /h	85	85
Discharge height..... mm	3,850	3,850
Machine weights		
Max. operating weight (incl. options) kg	9,000	9,200
Transport weight, incl. diesel & milling drum kg	7,300	7,500
Extra weights options		
Weather protection roof..... kg	175	175
Scraper, split..... kg	50	50
Conveyor belt, long kg	515	
Conveyor belt, long & foldable..... kg	550	550
Conveyor belt, short..... kg	290	
Ballast in front wheels (4-wheel version only) kg	120	120

Technical modifications reserved. Machines may be shown with options. The actual machine weight depends on the respective configuration..

Dimensions [mm]

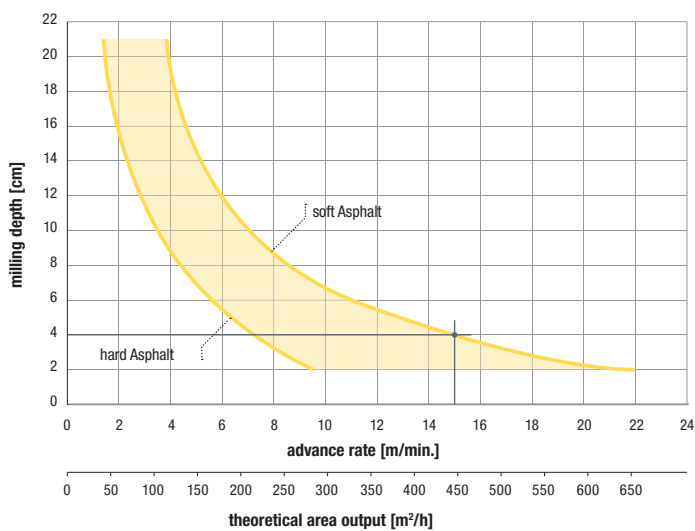


Conveyor lifted: 8.390; lowered: 9.490

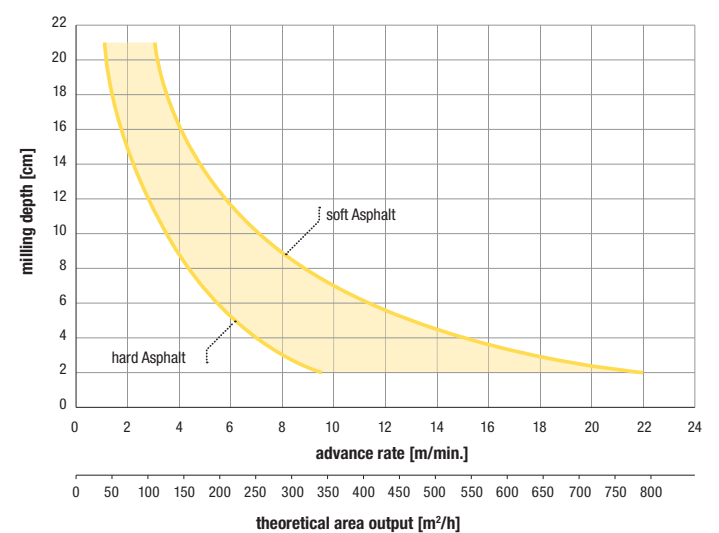


* BM 600/15 in brackets

Milling performance: BM 500/15-2



Milling performance: BM 600/15-2



Standard equipment

Milling technology

- Milling drum LA15
- 3 Milling drum speeds
- Proportionally adjustable water quantity
- Automatic water saving detection
- Wear-free, digital milling depth indicator
- Proportional milling depth adjustment
- Two proportional height adjustment speed ranges
- Additional height adjustment on the joystick for one-hand operation
- Hydraulically operated side plates
- Hydraulically operated hold-down
- Hydraulically operated scraper with adjustable scraper pressure
- Right-hand side plate for quick milling drum changes
- Automatic power limit control
- Automatic traction control

Drives

- 3-wheel drive with up to 6 km/h
- Right rear wheel can be folded in from the driver's seat
- Infinitely variable transport speed range
- Infinitely variable milling speed
- Cruise control function with 12 speeds
- Mechanical milling drive

Ease of operation

- Fully vibration-isolated driver's stand
- Comfortable work area for operation from a seated position
- 7"- full-graphic operator display
- Spring-loaded ergonomic comfort seat, which can be adjusted to the working situation and swivelled to 45°
- Seat heating
- Ergonomic operating console, which can be adjusted to the working situation
- Height-adjustable arm rest with an integrated control unit
- Self-explanatory and clearly arranged control panel
- Spacious storage compartments at ground level
- Group placement of service and maintenance points on the right side of the machine
- Multi quick coupling for conveyor belt drive
- Storage space for gloves, drinks, spray cans, etc.

Safety & environmental protection

- Package for noise elimination to a whisper-quiet level
- Water-cooled engine of the latest exhaust classification

- Two head lights
- Variably positionable optional head lights
- Flashing beacon
- Rear-view mirror
- CE-compliant safety package with emergency stop switches
- Backup protection
- Vandal-proof covers for the control units

Additional equipment

Basic machine

- 4-wheel drive with up to 10 km/h
- Adjustable weather protection roof
- Plexiglas wind protection, footwell and part of the weather protection roof
- Scraper, split
- Water filling pump with washing function and hose reel
- Hydraulic hammer connection
- Frost protection package
- Traffic lighting
- Optional head lights, attachable
- Optional head lights, magnetic base
- Special paintwork
- Biohydraulic oil
- Ballasting
- BOMAG TELEMATIC fleet management

Quick-change of the milling drums

- Milling drum 600 LA15
- POWER DRUM 600 LA20
- Fine milling drum 600 LA6
- Milling drum 500 LA15
- POWER DRUM 500 LA20
- Fine milling drum 500 LA6
- Fine milling drum 400 LA6
- Milling drum 400 LA14
- Milling drum 300 LA14
- Drain trench milling drum
- Cutting wheel

Conveyor belts

- Conveyor belt, long
- Conveyor belt, long & hydr. foldable
- Conveyor belt, short

Automatic levelling systems

- Levelling base, 7" full graphic display, control unit, 2x side plates
- Levelling extension 1, BOMAG Easy Level with an integrated cross slope sensor
- Levelling extension 2, Sonic Ski with 3x brackets

